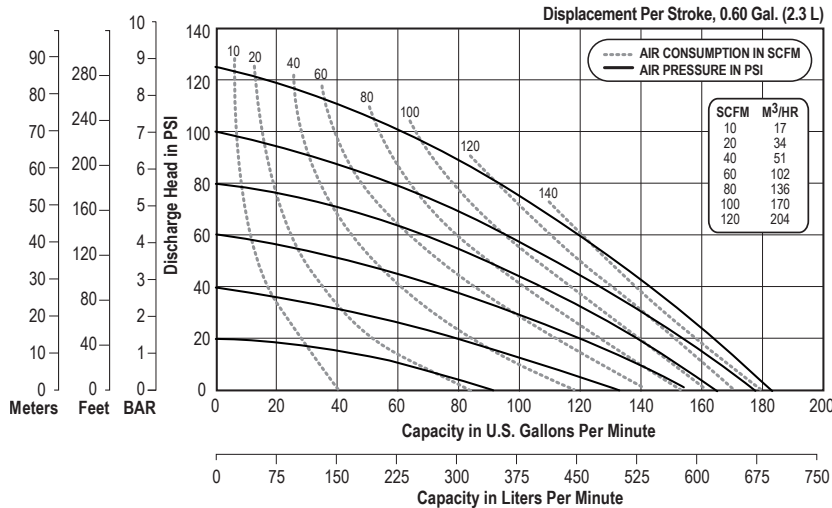


E2 DATA SHEET

SPECIFICATIONS & PERFORMANCE

2" Clamped Metal – ATEX with Metal Center Section

PERFORMANCE



NOTE: Performance based on the following: elastomeric fitted pump, flooded suction, water at ambient conditions. The use of other materials and varying hydraulic conditions may result in deviations in excess of 5%.

SPECIFICATIONS

Flow Rate

Adjustable to . . .0-185 gpm (700 lpm)

Port Size

Suction2" NPT

Discharge2" NPT

Air Inlet1/2" NPT

Air Exhaust1" NPT

Suction Lift

Dry17' (5.2 m)

Wet32' (9.8 m)

Max Solid Size (Diameter)

.1/4" (6.4 mm)

Max Noise Level 96 dB(A)

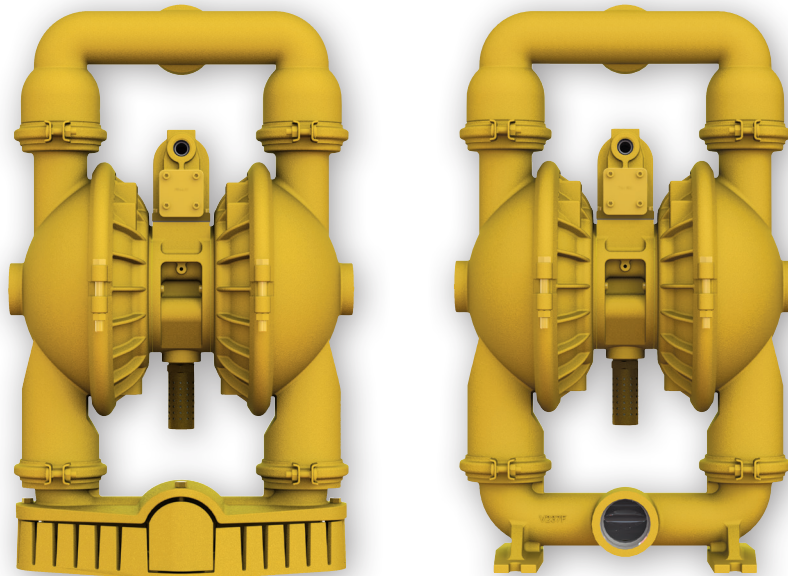
Shipping Weights

Aluminum 65 lbs (29.5 kg)

Cast Iron 113 lbs (51.3 kg)

Stainless 106 lbs (48.1 kg)

** Stainless Center add 31 lbs. (14.1 kg)



VERSAMATIC®

Warren Rupp, Inc. | A Unit of IDEX Corporation
800 North Main Street | Mansfield, OH 44902 USA
Phone: 419.526.7296 | Fax: 419.526.7289

VERSAMATIC.COM

e2mdlCdsATEXC-rev0519

©Copyright 2019 Warren Rupp, Inc. All Rights Reserved.

E2 DATA SHEET

SPECIFICATIONS & PERFORMANCE

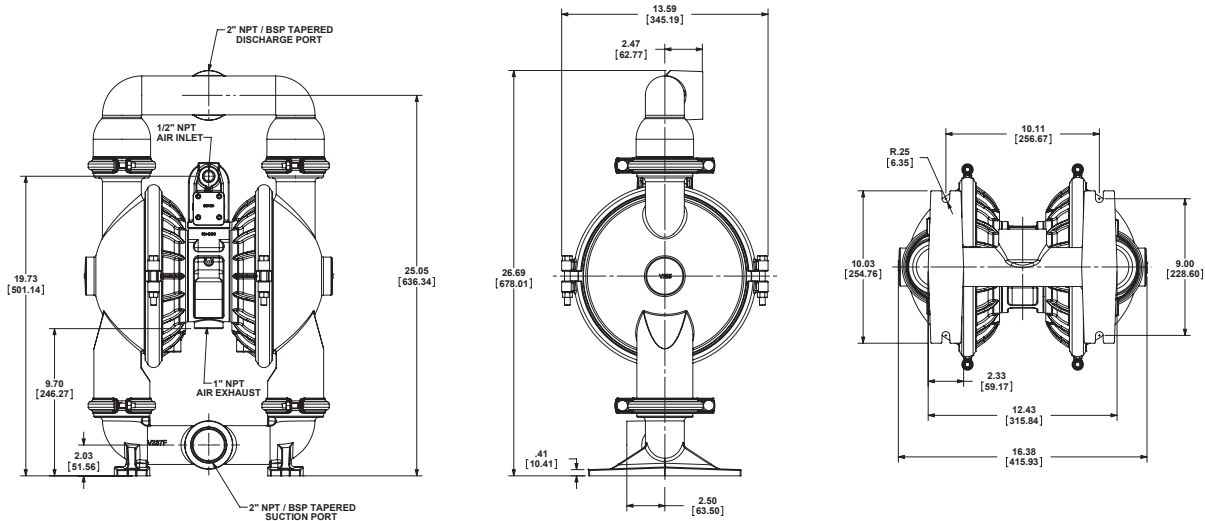
2" Clamped Metal – ATEX with Metal Center Section

DIMENSIONS

E2 Clamped Metal — Aluminum

Dimensions in inches (mm dimensions in brackets)

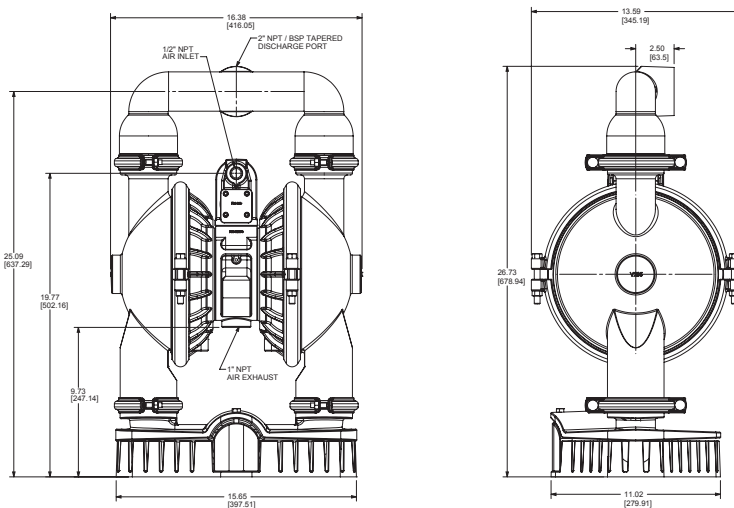
The dimensions on this drawing are for reference only. A certified drawing can be requested if physical dimensions are needed.



E2 Clamped Metal — Aluminum With Optional Screen Base

Dimensions in inches (mm dimensions in brackets)

The dimensions on this drawing are for reference only. A certified drawing can be requested if physical dimensions are needed.



VERSAMATIC®

Warren Rupp, Inc. | A Unit of IDEX Corporation
800 North Main Street | Mansfield, OH 44902 USA
Phone: 419.526.7296 | Fax: 419.526.7289

VERSAMATIC.COM

e2mdlCdsATEXC-rev0519

©Copyright 2019 Warren Rupp, Inc. All Rights Reserved.

E2 DATA SHEET

SPECIFICATIONS & PERFORMANCE

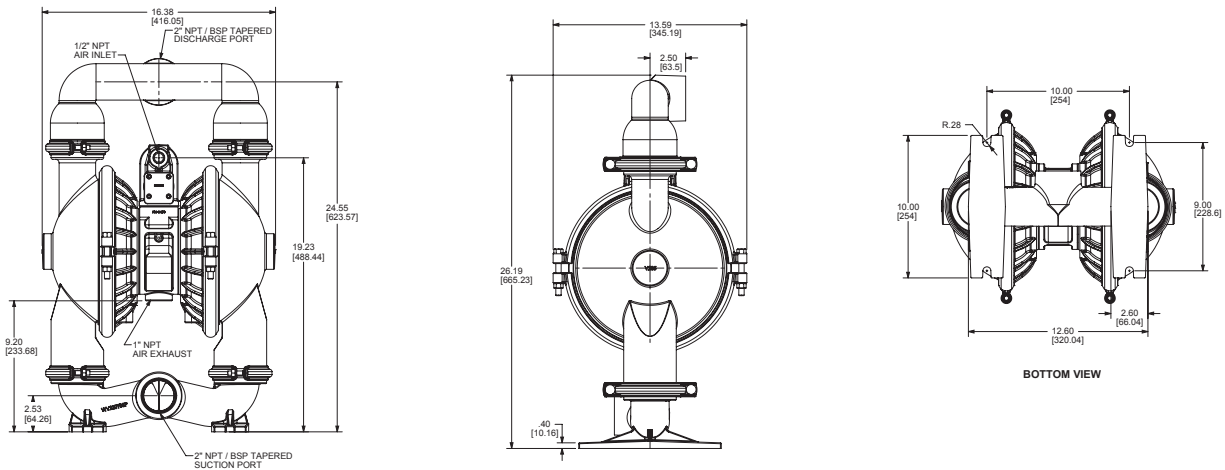
2" Clamped Metal – ATEX with Metal Center Section

DIMENSIONS

E2 Clamped Metal - Cast Iron

Dimensions in inches (mm dimensions in brackets)

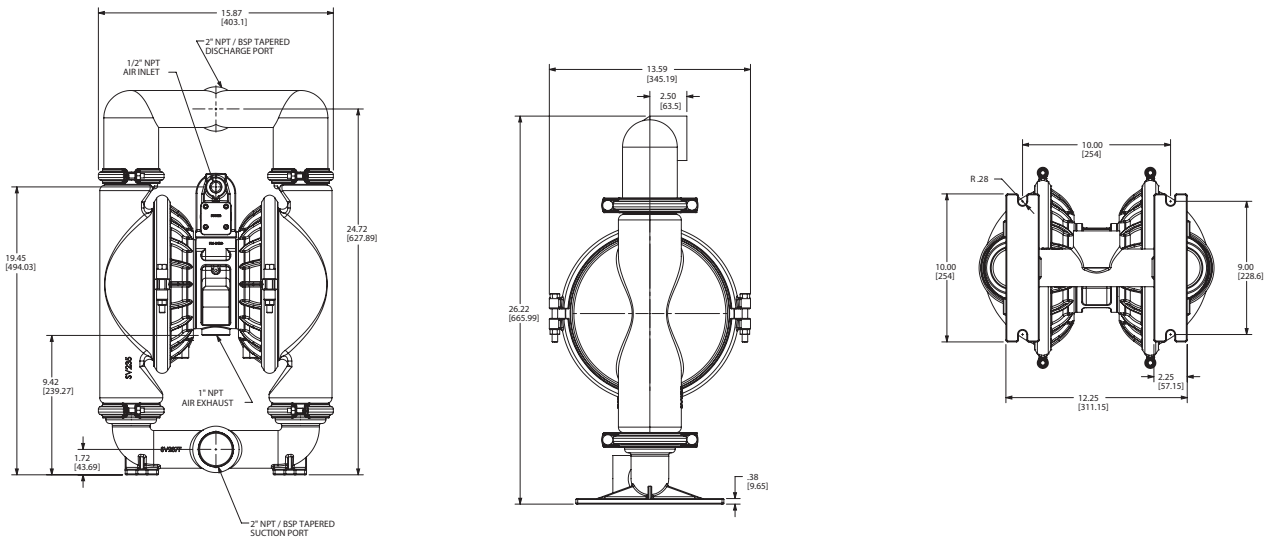
The dimensions on this drawing are for reference only. A certified drawing can be requested if physical dimensions are needed.



E2 Clamped Metal - Stainless

Dimensions in inches (mm dimensions in brackets)

The dimensions on this drawing are for reference only. A certified drawing can be requested if physical dimensions are needed.



VERSAMATIC®

Warren Rupp, Inc. | A Unit of IDEX Corporation
800 North Main Street | Mansfield, OH 44902 USA
Phone: 419.526.7296 | Fax: 419.526.7289

VERSAMATIC.COM

e2mdlCdsATEXC-rev0519

©Copyright 2019 Warren Rupp, Inc. All Rights Reserved.